

WaveCall MCM3

Multi Channel Modem for Data & Voice

The new WaveCall™ MCM3 utilizes the latest multi-channel technology, featuring three smart modems running in parallel. The modems respond to demand by activating two or three circuits as required by the data and voice load. Voice and data can be used simultaneously and upload and download speeds are identical. Service is available throughout Globalstar's coverage area. Features include:

- Internet speeds from 19.2 kbps up to 144 kbps* within the Globalstar coverage area
- Voice and data simultaneously – be on the phone and on the Internet at the same time
- Transmit and receive units all within one compact 20" x 9.6" dome
- Unsurpassed voice quality and reliability
- Minimum below decks wiring for easy installation
- No ISP is needed to access the Internet
- Sea Tel® service support and reliability



WaveCall™

THE WAVECALL MCM3



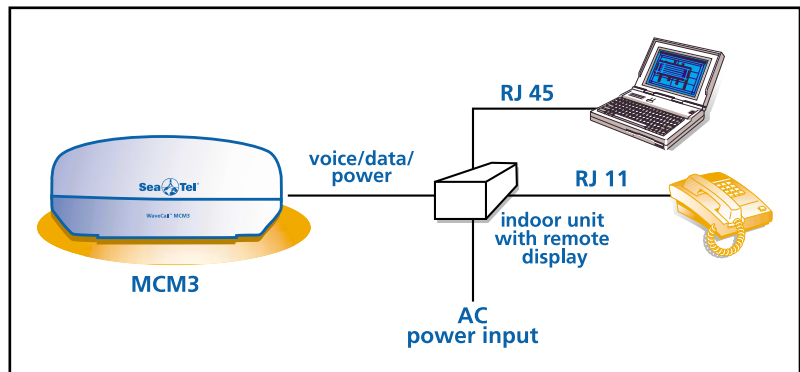
System Specifications

Specifications for MCM3

Dome Dimensions	20" diameter x 9.6" height
Weight	30 lbs
Data Speed	19.2K to 144K Depends upon compression factor of files being up and downloaded
Electrical Requirements	110/220 VAC, 50/60 Hz @ 30 Watts
Vocoder	8K variable rate
Operating Frequency Range	
MCM3 to Satellite	1610 to 1625 MHz
Satellite to MCM3	2484 to 2499 MHz
Mounting Requirements	Same as 2101, 1898, 2498

System Components for MCM3

- Antenna with low profile 9.6" radome, or optionally, 1898 / 2498 style radomes
- Single 50 foot interconnecting cable
- Indoor Unit with remote diagnostic display. Interfaces include RJ45 network connection to computer and RJ11 connection to telephone
- SatSpeed Compression Software
- Operations Manual



Marine Electronics - Croatia
 Zagrebacka bb
 51500 Krk, Croatia
 Tel: +385 51 855586
 Fax: +385 51 855587
 sales@marine-electronics.hr
 www.marine-electronics.hr

